

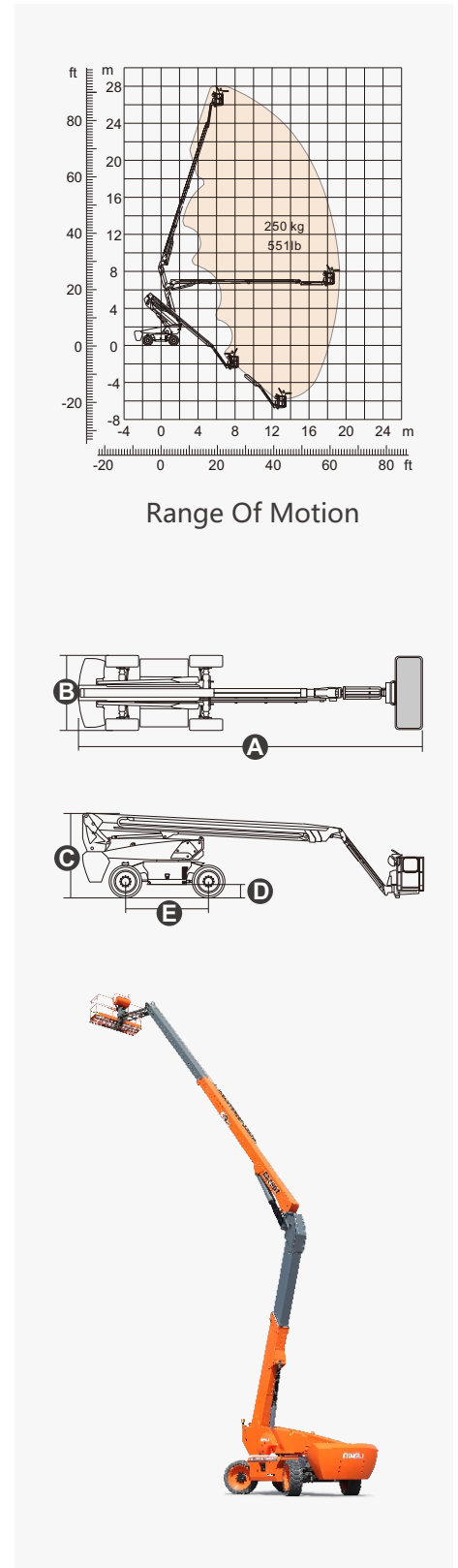
SPECIFICATIONS

Size	Metric	British
Max. Working Height	28.1m	92ft 2in
Max. Platform Height	26.1m	85ft 8in
Max. Operating Range(+0.6m)	19.4m	63ft 8in
Max. Platform Range	18.8m	61ft 8in
Overall Length(Stowed) A	11.83m	38ft 10in
Overall Length(Transport)	12.03m	39ft 6in
Overall Width(Stowed) B	2.5m	8ft 2in
Overall Width(Transport)	2.28m	7ft 6in
Overall Height(Stowed) C	2.89m	9ft 6in
Overall Height(Transport)	2.61m	8ft 7in
Platform Size(Length×Width)	2.44m×0.91m	8ft×3ft
Turntable Tailswing	1.61m	5ft 3in
Ground Clearance D	0.41m	1ft 4in
Wheelbase E	2.8m	9ft 2in
Turning Radius(Inside/Outside)	1.87m/3.22m	6ft 2in/10ft 7in
Tyres	385/45-28	385/45-28
Up And Over Clearance	9.14m	30ft
Max. Down Probing Depth	6.61m	21ft 8in

Performance		
S.W.L	250kg	551lb
Max. Occupants	2	2
Gradeability	45%	45%
Travel Speed(Stowed)	6km/h	6km/h
Travel Speed(Raised)	1.1km/h	1.1km/h
Max. Working Slope	X-5°/Y-5°	X-5°/Y-5°
Turret Rotation	360°Continuous	360°Continuous
Platform Rotation	180°	180°
Jib Movement	135°	135°

Weight		
Overall Weight	18400kg	40565lb

Power		
Diesel Engine	Deutz TD2.9 L4	Deutz TD2.9 L4
Engine Power	55.4kW 2600rpm	55.4kW 2600rpm
Diesel Tank	135L	29gal
Hydraulic Tank	165L	36gal



FEATURES

Standard Items

- 2.31m (7ft 7in) Jib Boom
- Front Oscillating Axle
- Four-Wheel Steering
- Four-Wheel Drive
- Self-Leveling Platform
- 180° Left And Right Swing Platform
- Proportional Joystick Controls
- Thumb Rocker Steer
- Drive Enable
- Ac Power Cord To Platform
- Tilt Alarm
- Descent Alarm
- Flash
- Horn
- Hour Meter
- Integral Integrated Special Drive Axle For Construction Machinery
- 360° Continuous Turntable Rotation
- Positive Traction Four Wheel Drive
- Platform Load Sense System
- Fault Diagnosis System
- Operator Anti-crushing Protection System
- Harsh Environment Kits (includes Cylinder Sleeves, Boom Dust Kits, Ground And Platform Control Box Covers)
- 12V DC Auxiliary Power
- Deutz TD2.9 L4 55.4kW /2600rpm Diesel Engine *
- Hydraulic Oil Radiator
- Anti-restart Engine Protection
- Anti-reverse Engine Device
- Auto Engine Fault Shutdown

ZHEJIANG DINGLI MACHINERY CO., LTD.

Address: No.188 Qihang Road,Deqing,Zhejiang P.R.China 313219

Telephone: +86(572)8681688

E-Mail: export@cndingli.com

[Https://en.cndingli.com](https://en.cndingli.com)

